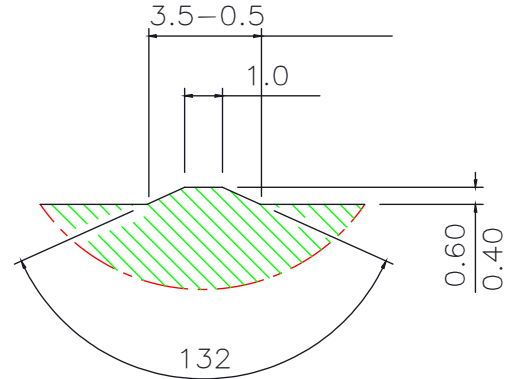
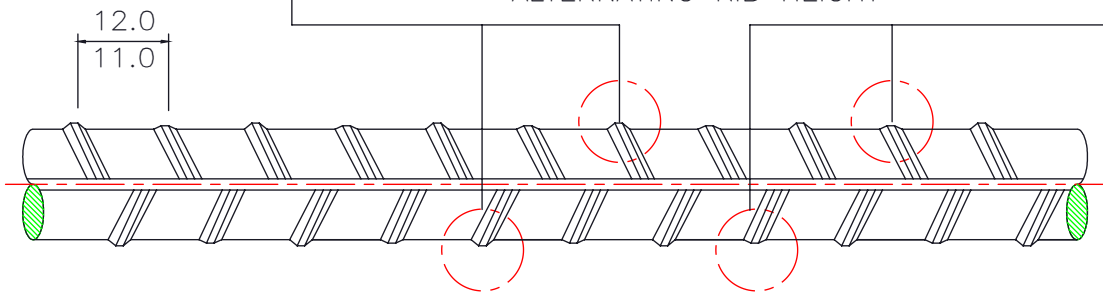


ENLARGED TRANSVERSE RIB DETAIL

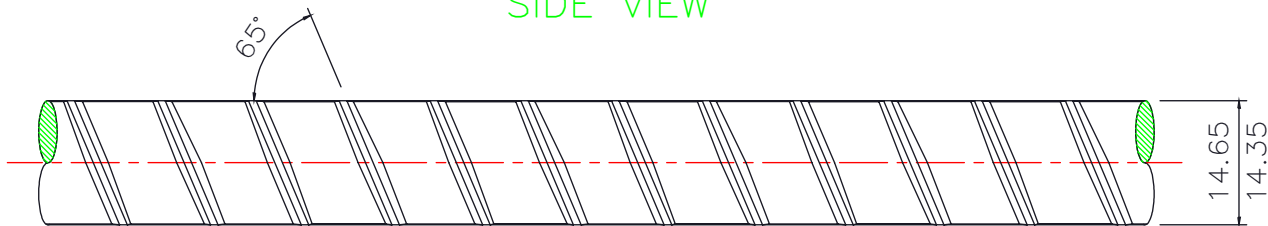
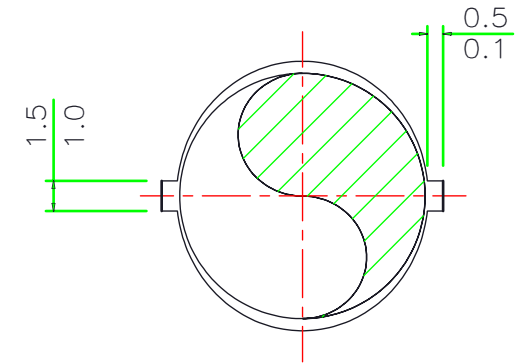


ENLARGED TRANSVERSE RIB DETAIL

ALTERNATING RIB HEIGHT



SIDE VIEW



TOP VIEW

Note: Tensile test 100kN at 8mm 110kN at 10mm

				RSC EKUSASA MINING		NAME	DATE	STEP BAR 14.5 mm DIA LEFT/RIGHT SPIRAL		
						DRAWN	T.K.			05-04-04
						CHECKED	V.Kovago			06-03-02
						APPROVED	V.Kovago	06-03-02		
Min Tensile 550 Mpa		06-03-02		H.T.Carbon Steel	THIS DRAWING IS THE COPYRIGHT OF RSC MINING & MUST NOT BE COPIED IN WHOLE OR IN PART NOR SHOULD ANY INFORMATION BE DIVULGED TO UNAUTHORISED PERSONS					
Rev.	NOTES	DATE	SIGNED	MATERIAL				SCALE	DRAWING No.	REV.
							N.T.S.	RSC 020	0	

