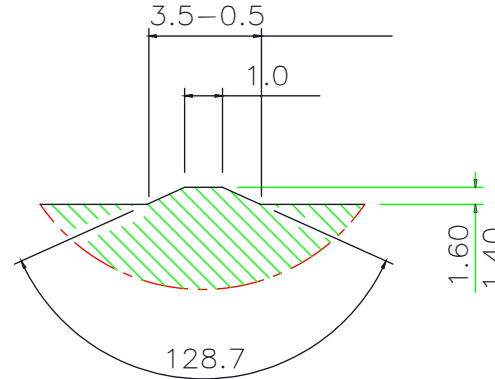
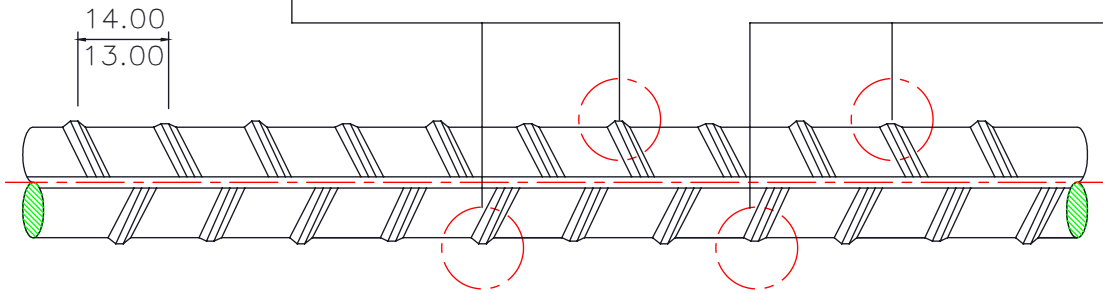


ENLARGED TRANSVERSE RIB DETAIL

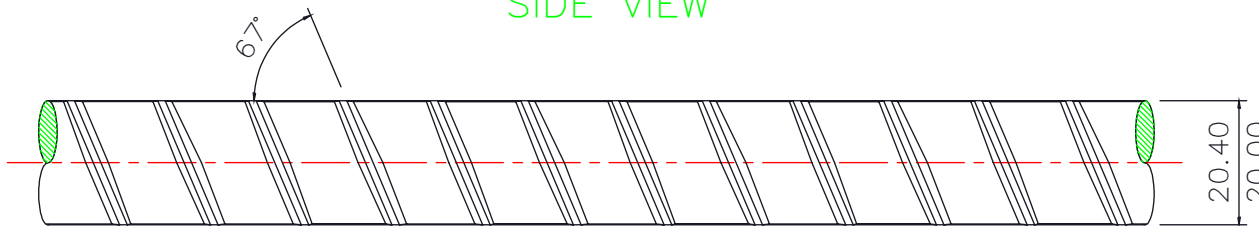
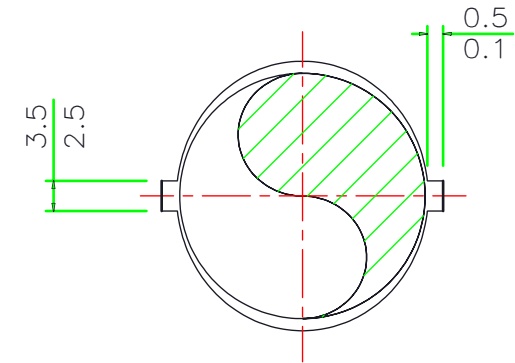


ENLARGED TRANSVERSE RIB DETAIL

ALTERNATING RIB HEIGHT



SIDE VIEW



TOP VIEW

| | | | | | | | | |
|------------------|-------|--------|----------|---|---------|----------|-------------|---|
| | | | | RSC EKUSASA MINING | | NAME | DATE | HIGH STEP 20 mm DIA LEFT/RIGHT SPIRAL |
| | | | | THIS DRAWING IS THE COPYRIGHT OF RSC MINING & MUST NOT BE COPIED IN WHOLE OR IN PART NOR SHOULD ANY INFORMATION BE DIVULGED TO UNAUTHORISED PERSONS | DRAWN | T.K. | 05-04-04 | |
| | | | | | CHECKED | V.Kovago | 06-04-25 | |
| | | | | | | APPROVED | V.Kovago | 06-04-25 |
| Max displacement | 13mm | 160 Kn | 06-04-25 | | | | | |
| Max displacement | 10mm | 150 Kn | 06-04-25 | H.T.Carbon Steel | | | | |
| Rev. | NOTES | DATE | SIGNED | MATERIAL | | SCALE | DRAWING No. | REV. |
| | | | | | | N.T.S. | RSC 026 | 0 |

