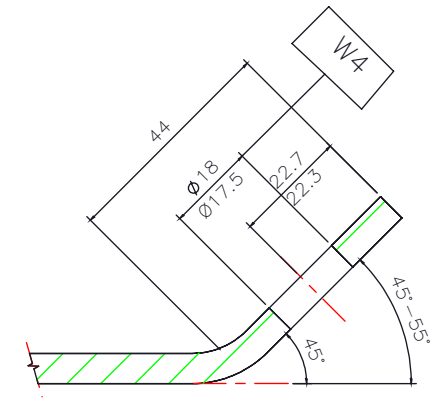
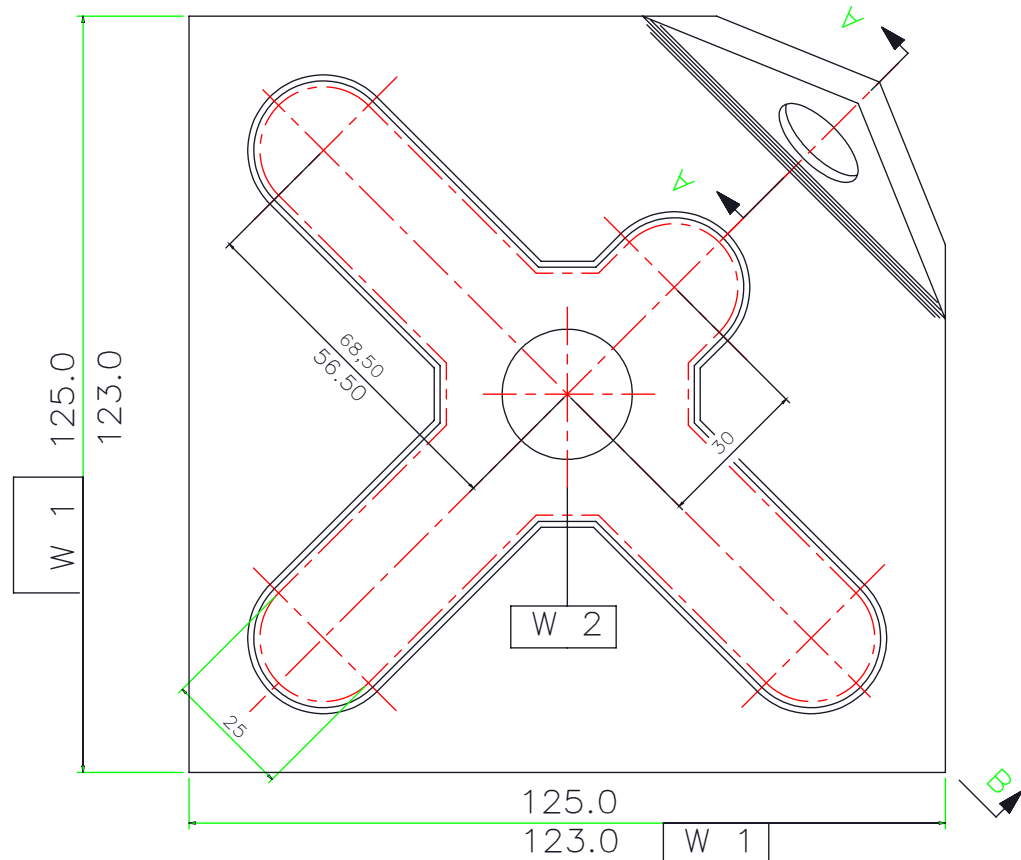


SECTION B-B



SECTION A-A



Type	W2
19	19 - 19.5
21	21 - 21.5
23	23 - 23.5

Q.C.

					<b>RSC EKUSASA MINING</b>	NAME	DATE	TITLE	
					THIS DRAWING IS THE COPYRIGHT OF RSC MINING & MUST NOT BE COPIED IN WHOLE OR IN PART NOR SHOULD ANY INFORMATION BE DIVULGED TO UNAUTHORISED PERSONS	DRAWN	T.K.	05-09-10	Ribed Dog Ear Washer
				Comm QT		CHECKED	V.Kovagc	05-09-14	
				M.S.		APPROVED	V.Kovagc	05-09-14	
Rev.	NOTES	DATE	SIGNED	MATERIAL		SCALE	DRAWING No.	REV.	
		05-09-16				N.T.S.	RSC 009 A	0	

