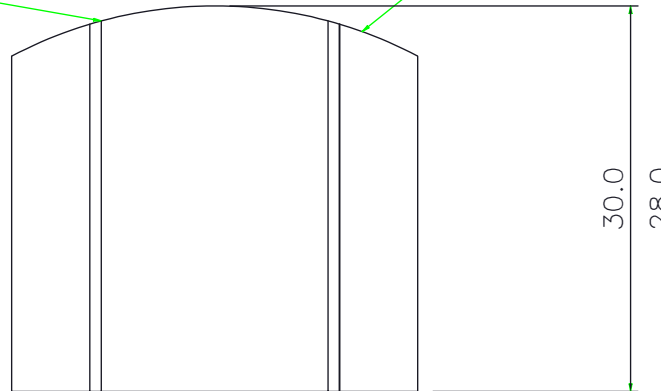


Drill 15.75 to 16.00

R 20.0

Tap K16 5mm Pitch Double Start



Product/Pattern No 33281(Saint Gobain)

				RSC EKUSASA MINING		NAME		DATE		Kat 16 Bullnose Nut	
						DRAWN		T.K. 05-04-04			
						CHECKED		V.Kovago 05-09-13			
						APPROVED		V.Kovago 05-09-16			
		05-09-13		S.G.IRON 42		THIS DRAWING IS THE COPYRIGHT OF RSC MINING & MUST NOT BE COPIED IN WHOLE OR IN PART NOR SHOULD ANY INFORMATION BE DIVULGED TO UNAUTHORISED PERSONS					
Rev.		NOTES		DATE							SIGNED
								SCALE		DRAWING No.	
						N.T.S.		RSC 014		REV. 0	

