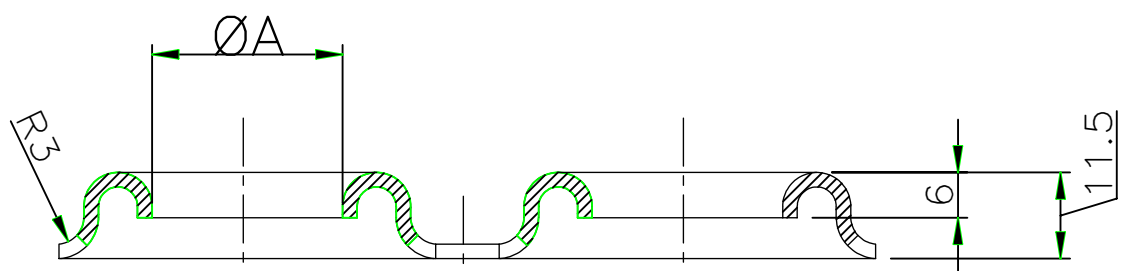
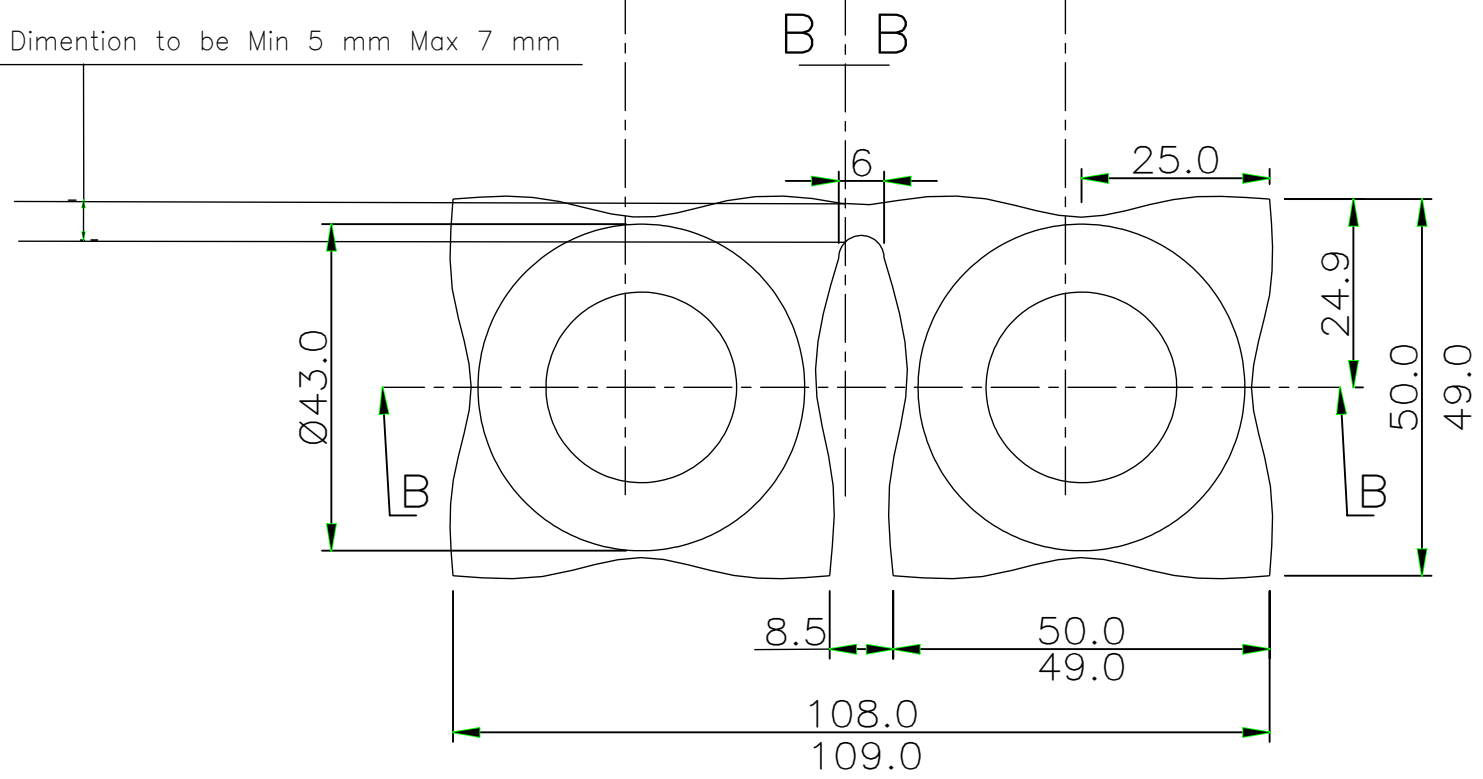


RSC Type Torque Indicator



ØA
19.0–19.5
21.0–22.0
23.0–24.0

Note Dimension to be Min 5 mm Max 7 mm



RSC EKUSASA MINING					DRAWN	NAME	DATE	Torque Indicator RSC Type			
					CHECKED	M.F	09-02-11				
					APPROVED	M.Nel	09-02-11				
1.0	A upper limit modified	09-02-11	1.6 mm	THIS DRAWING IS THE COPYRIGHT OF RSC MINING & MUST NOT BE COPIED IN WHOLE OR IN PART NOR SHOULD ANY INFORMATION BE DIVULGED TO UNAUTHORISED PERSONS				SCALE	DRAWING No.	RSC 035	REV.
Rev.	NOTES	DATE	SIGNED	MATERIAL	N.T.S.				1.0		

