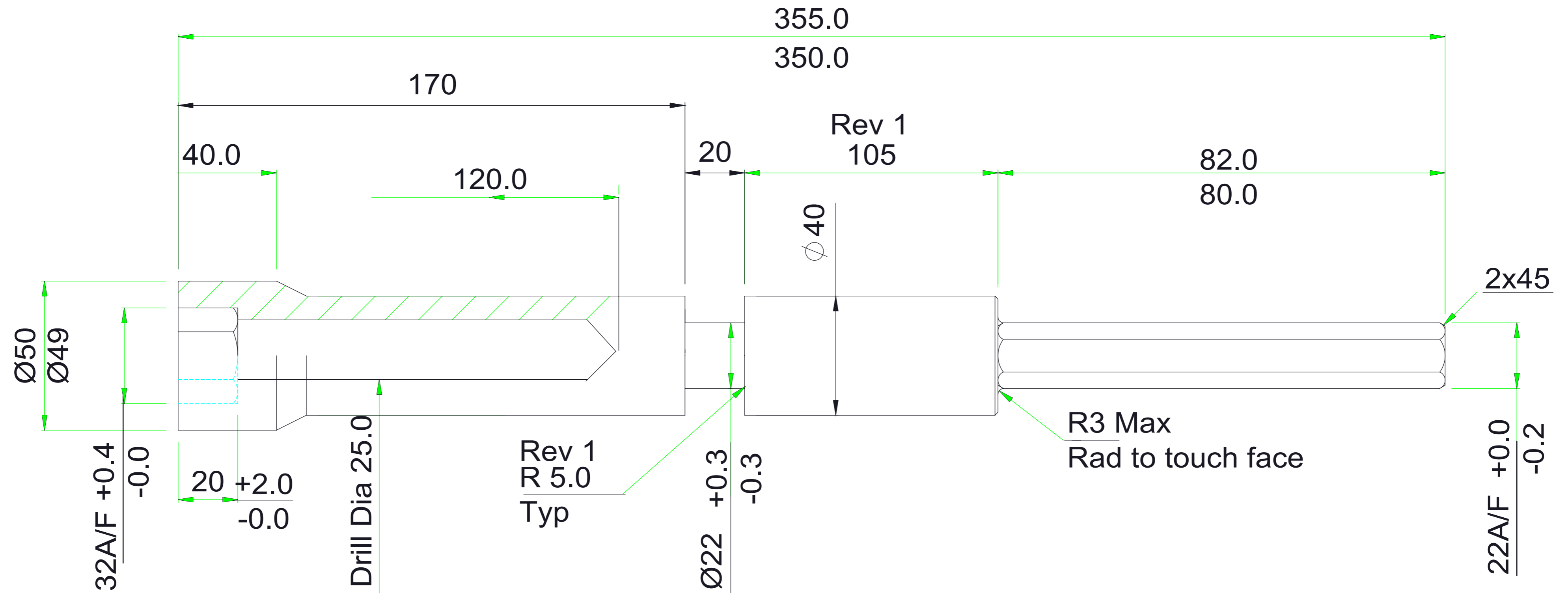
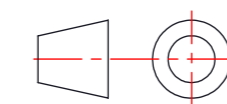


# Marrula Type Spinning Adapter 32/22



Female Hex 32 to be Forged no Under Cut Allowed

Rev.	NOTES	DATE	SIGNED	MATERIAL	RSC EKUSASA MINING				TITLE		REV.
1	85 mm to 105 Rad 3to 5mm	07-05-22			THIS DRAWING IS THE COPYRIGHT OF RSC MINING & MUST NOT BE COPIED IN WHOLE OR IN PART NOR SHOULD ANY INFORMATION BE DIVULGED TO UNAUTHORISED PERSONS	DRAWN	NAME	DATE	Spinning Adopter 32 X 22 Marulla Type		1
2	Heat Treat to Rc 55-60	24/03/09		E.N.36		CHECKED	MN	07/09/09			2
						APPROVED					
						SCALE	DRAWING No.	R S C 021		2	



N.T.S.

DRAWING No.

R S C 021

REV.  
2

