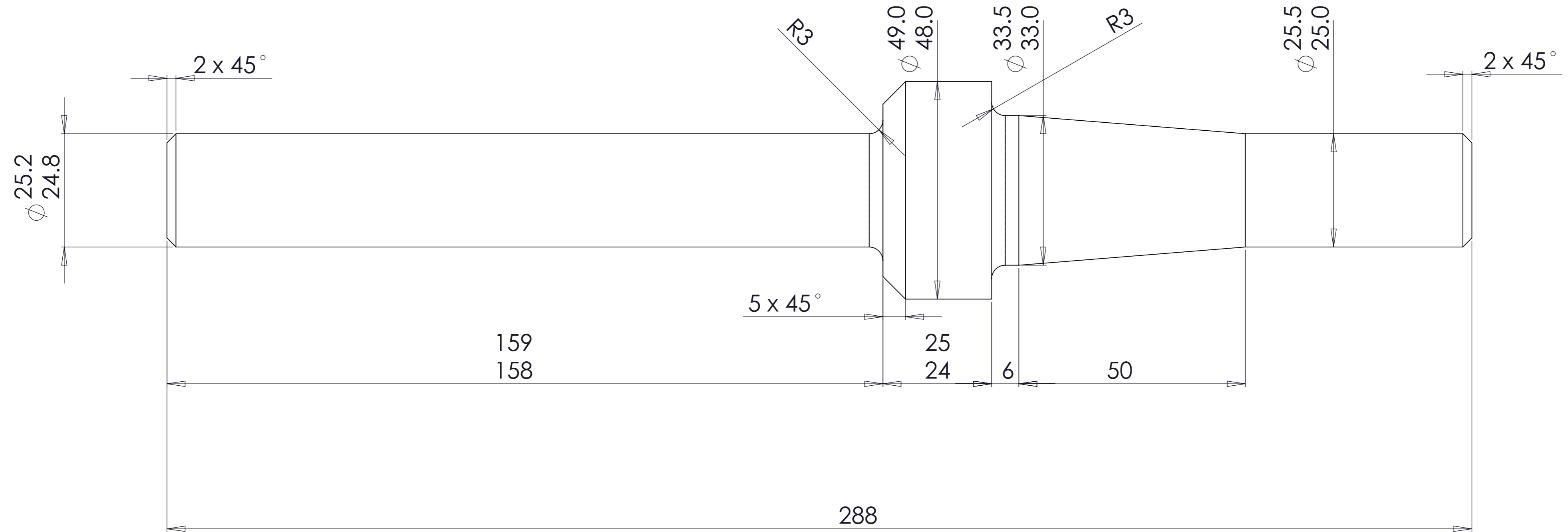


Driver Tool Single Collar D.T. 39/25



| | | | | | | | | | |
|------|------------------------|----------|--------|----------|---|----------|-----------------|-------------|---|
| | | | | | RSC EKUSASA MINING | | NAME | DATE | TITLE |
| 2 | Change shaft to 158mm | 24/03/09 | | | THIS DRAWING IS THE COPYRIGHT OF RSC MINING & MUST NOT BE COPIED IN WHOLE OR IN PART NOR SHOULD ANY INFORMATION BE DIVULGED TO UNAUTHORISED PERSONS | DRAWN | MF | 7/09/09 | Driver Tool Single Collar D.T. 39/25 |
| 2 | Heat treat to Rc 55-65 | 24/03/09 | | EN36 | | CHECKED | MN | | |
| 1 | Change shaft to 150mm | 8/10/09 | | | | APPROVED | | | |
| Rev. | NOTES | DATE | SIGNED | MATERIAL | | | SCALE N.T.S. | DRAWING No. | RSC024 |

