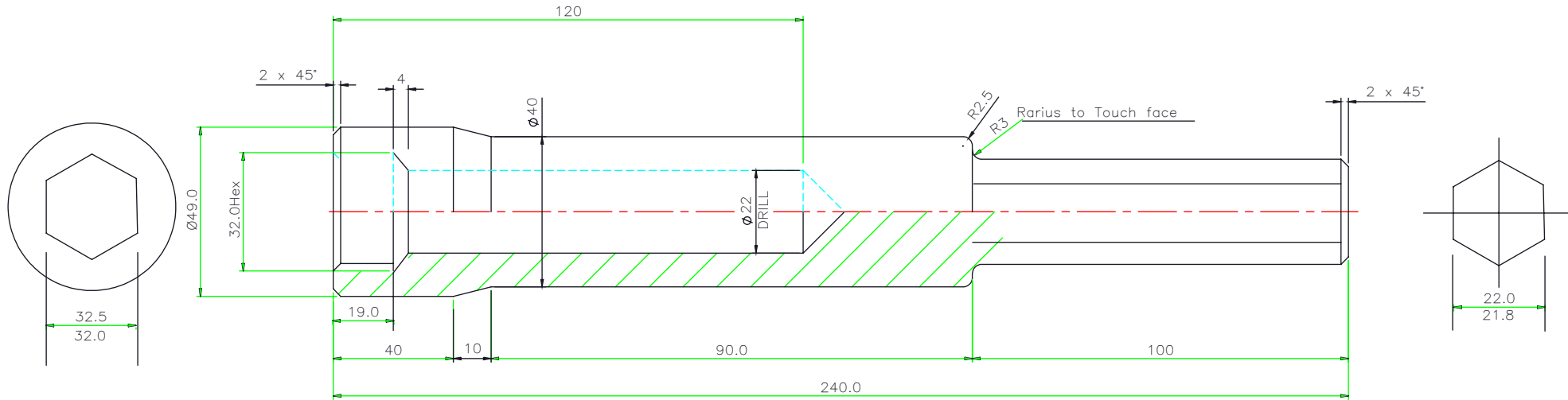


# Spinning Adopter S.A. 32 x 22



Female Hex 32 to be Forged no Under Cut Alowed

Rev.	NOTES	DATE	SIGNED	MATERIAL	RSC EKUSASA MINING			TITLE	
1	Heat Treat to Rc 55 – 60	24/03/09		E.N. 36	DRAWN	NAME	DATE	Spinning Adopter	
					CHECKED	MN	07/09/09	32 x 22	
					APPROVED				
								SCALE	DRAWING No.
								N.T.S.	RSC 030
									REV.
									1

THIS DRAWING IS THE COPYRIGHT OF RSC MINING & MUST NOT BE COPIED IN WHOLE OR IN PART NOR SHOULD ANY INFORMATION BE DIVULGED TO UNAUTHORISED PERSONS

