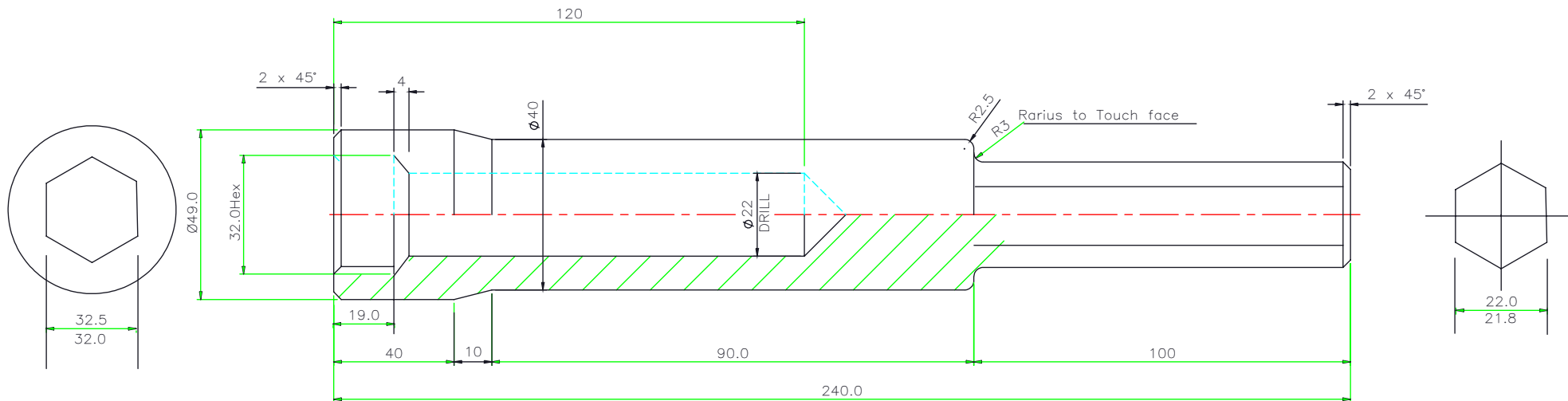


# Spinning Adopter S.A. 32 x 22



Female Hex 32 to be Forged no Under Cut Allowed

RSC EKUSASA MINING					DRAWN	NAME	DATE	TITLE
						T.K.	06-04-17	Spinning Adopter
					CHECKED	V.Kovago	06-10-08	32 x 22
					APPROVED	V.Kovago	06-10-08	
Rev.	NOTES	DATE	SIGNED	MATERIAL			SCALE	DRAWING No.
	Heat Treat to Rc 43 - 48	06-10-08		E.N. 19	N.T.S.			RSC 030
								REV.
								0

THIS DRAWING IS THE COPYRIGHT OF RSC MINING & MUST NOT BE COPIED IN WHOLE OR IN PART NOR SHOULD ANY INFORMATION BE DIVULGED TO UNAUTHORISED PERSONS