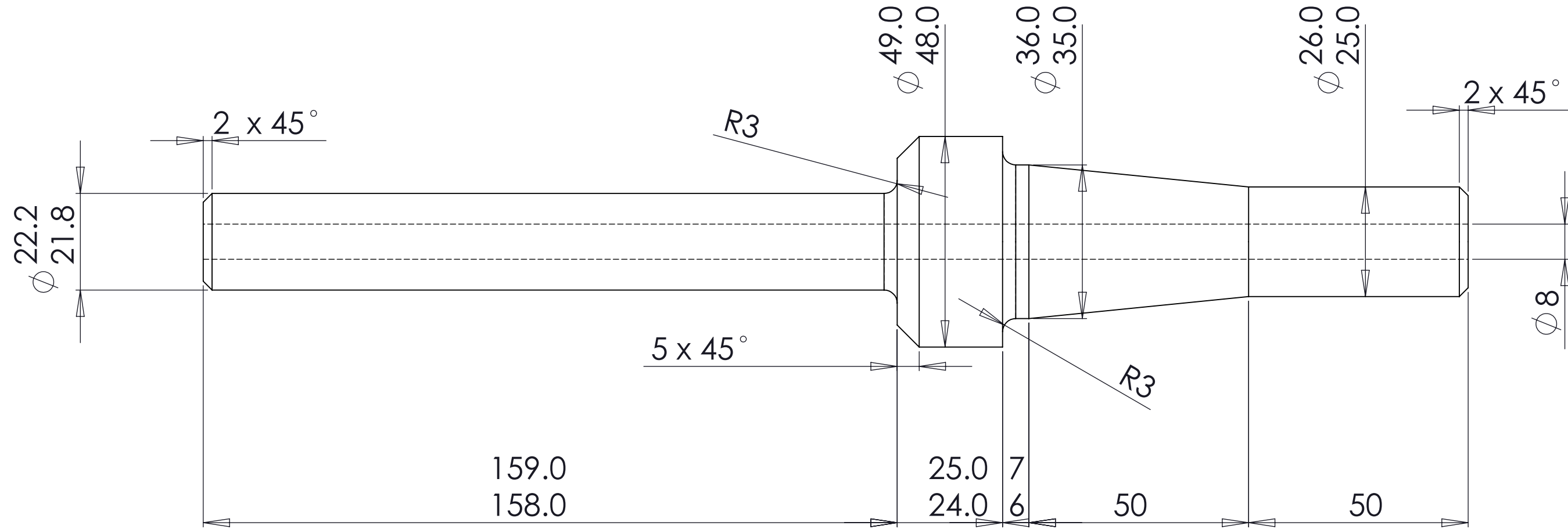


# Driver Tool Single Collar D.T. 42/22



<b>RSC EKUSASA MINING</b>					DRAWN	NAME	DATE	TITLE	
2	Change main shaft to 158mm	23/03/009			MF	7/09/09	Driver Tool Single Collar D.T. 42 / 22		
1	Change main shaft to 150mm	06/10/08			MN	7/09/09			
	Heat Treat to Rc 55-60	08/06/26		E.N. 36	APPROVED				
Rev.	NOTES	DATE	SIGNED	MATERIAL	THIS DRAWING IS THE COPYRIGHT OF RSC MINING & MUST NOT BE COPIED IN WHOLE OR IN PART NOR SHOULD ANY INFORMATION BE DIVULGED TO UNAUTHORISED PERSONS		SCALE	DRAWING No.	REV.
					N.T.S.	RSC 049	2		

