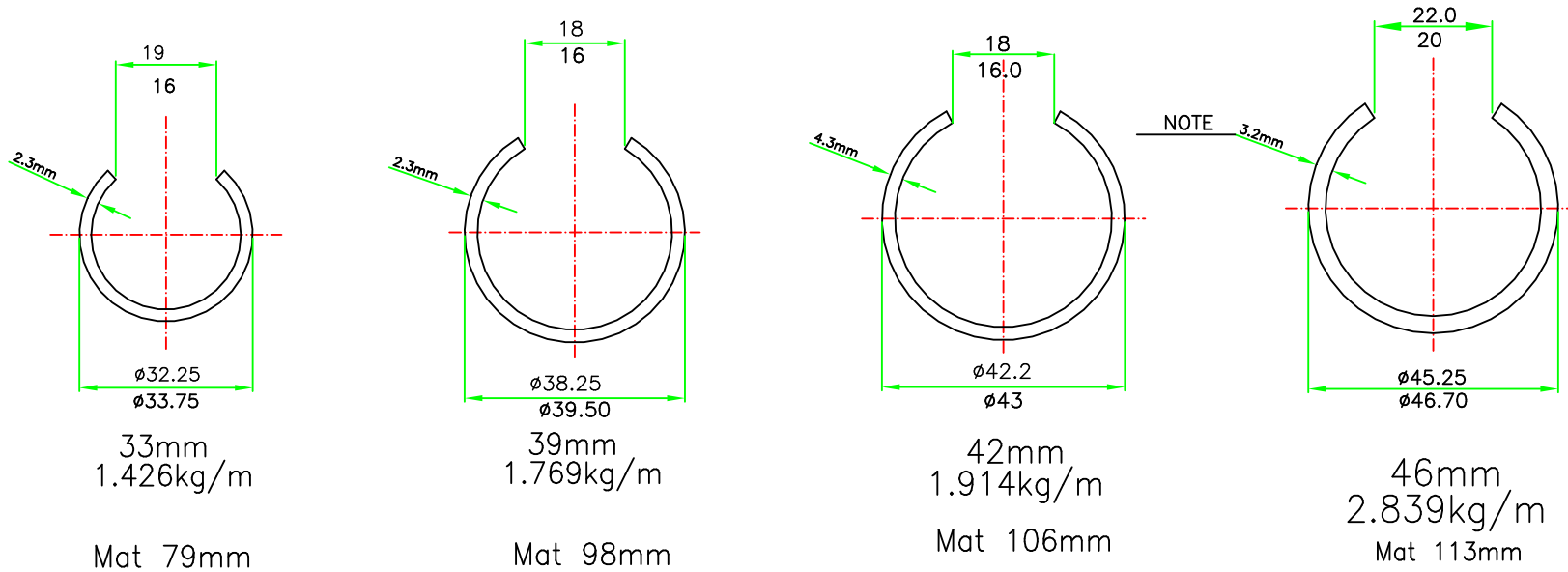


OPEN SEAM TUBE MANUFACTURING SPECIFICATIONS



RSC EKUSASA MINING					DRAWN	NAME	DATE	TITLE	
					T.K.	V.Kovago	29-05-05	SPLIT SET TUBE SIZES	
					CHECKED	V.Kovago	28-06-05		
					APPROVED	V.Kovago	28-06-05		
2	Updated	10-03-09			THIS DRAWING IS THE COPYRIGHT OF RSC MINING & MUST NOT BE COPIED IN WHOLE OR IN PART NOR SHOULD ANY INFORMATION BE DIVULGED TO UNAUTHORISED PERSONS		N.T.S	DRAWING No. RSC 007	REV. 0
Rev.	NOTES	DATE	SIGNED	MATERIAL					